

# NOBLE GAS AIR/STACK MONITOR ARGON – XENON - KRYPTON

Model Series - FM-9NGAS-

FM-9XE-NG ~ FM-9NGAS-2 ~ FM-9NGAS-3 ~ FM-9NGAS-6S

## FEATURES:

- DIGITAL NOBEL GAS MONITOR
- SIX-DIGIT READOUT
- AIRBORNE CONCENTRATION & TOTAL DOSE IN Bq/l OR IN MPC (OR ANY UNITS)
- USER FRIENDLY
- SETTABLE ALARMS
- COMPUTER INTERFACE USB OR ETHERNET
- DATA ARCHIVE & DATA RETRIEVAL
- GM PROBE OR SCINTILLATION PROBE FOR LOW LEVELS



FM-9NGAS-2, FM-9NGAS-3, FM-9NGAS-6S



FM-9XE-NG



FM-9XE-NG ~ INTERIOR

## APPLICATION:

The **FM-9NGAS** Monitor is fast becoming the first choice for Noble Gas measurement in facilities all over the world.

- Industrial Uses
- Nuclear Power Plants
- Laboratories
- Low Level **Model FM-9NGAS-6S** Scintillator:  $1 \times 10^4 - 1 \times 10^8$  Bq/m<sup>3</sup>



**TECHNICAL ASSOCIATES  
OVERHOFF TECHNOLOGY**

7051 Eton Ave., Canoga Park, CA 91303  
818-883-7043 (Phone) 818-883-6103 (Fax)

[tagold@nwc.net](mailto:tagold@nwc.net)

[WWW.TECH-ASSOCIATES.COM](http://WWW.TECH-ASSOCIATES.COM)

Divisions of  US NUCLEAR CORP

Ticker UCLE

# NOBLE GAS AIR/STACK MONITOR ARGON – XENON - KRYPTON

Model Series - FM-9NGAS-

FM-9XE-NG ~ FM-9NGAS-2 ~ FM-9NGAS-3 ~ FM-9NGAS-6S

## DESCRIPTION:

The **FM-9NGAS** series Noble Gas Monitors determines Noble gas content of air by drawing the air through a gas chamber which is under constant surveillance by a radiation detector.

A six foot outlet and inlet hose draws air from the use area, duct, stack, glove box, hood or filter trap. All data is recorded on internal memory. Data archive and retrieval is available via USB or Ethernet Port.

An alarm is both visual and audio with a red flashing light and/or 2,000 Hz (beep) should the preset level be exceeded.

DESCRIPTION	FM-9NGAS ~ SERIES
Read Out (Units)	Bq/m <sup>3</sup> , uCi/cc, DAC, or Bq/L
Measures	Airborne Concentration
Hardware	<ul style="list-style-type: none"> <li>❖ Calculations by Imbedded Processor</li> <li>❖ On Board Data Logger</li> </ul>
Available Options	Electronic Mass Flowmeter

## SPECIFICATIONS:

Sensitivity in the case of elevated background.

Count Time	N <sup>16</sup> Background	MDA FM-9NGAS-2 Ar <sup>41</sup> Concentration	MDA FM-9NGAS-3 Ar <sup>41</sup> Concentration
20 min.	2mR/hr	1 x 10 <sup>-7</sup> μCi/ml	5 x 10 <sup>-8</sup> μCi/ml
33 min.	4mR/hr	1 x 10 <sup>-7</sup> μCi/ml	5 x 10 <sup>-8</sup> μCi/ml
70 min.	8mR/hr	1 x 10 <sup>-7</sup> μCi/ml	5 x 10 <sup>-8</sup> μCi/ml
30 min.	0.01mR/hr	1 x 10 <sup>-8</sup> μCi/ml	5 x 10 <sup>-9</sup> μCi/ml
8 hr..	2mR/hr	2 x 10 <sup>-8</sup> μCi/ml	1 x 10 <sup>-8</sup> μCi/ml

RANGE OF FM-9NGAS-6S	
1 X 10 <sup>4</sup> – 1 X 10 <sup>8</sup> Bq/m <sup>3</sup>	3 x 10 <sup>-8</sup> – 3 x 10 <sup>-4</sup> μCi/mL



**TECHNICAL ASSOCIATES  
OVERHOFF TECHNOLOGY**

7051 Eton Ave., Canoga Park, CA 91303  
818-883-7043 (Phone) 818-883-6103 (Fax)

[tagold@nwc.net](mailto:tagold@nwc.net)

[WWW.TECH-ASSOCIATES.COM](http://WWW.TECH-ASSOCIATES.COM)

Divisions of US NUCLEAR CORP

Ticker UCLE

# NOBLE GAS AIR/STACK MONITOR ARGON – XENON - KRYPTON

Model Series - FM-9NGAS-

FM-9XE-NG ~ FM-9NGAS-2 ~ FM-9NGAS-3 ~ FM-9NGAS-6S

## NOBLE GAS COMPARISON

	FM-9XE-NG	FM-9NGAS-2	FM-9NGAS-3	FM-9NGAS-6S
<b>Chamber Volume</b>	300 cc	1 liter	1 liter	600 cc
<b>Main Detector</b>	(1) 2" dia T-1190 GM	(1) 2" dia T-1190 GM	(2) 2" dia T-1190 GM STANDARD  (3) 2" dia T-1190 GM OPTIONAL	(2) 6" x 6" Organic Scintillator Sheets
<b>Shielding</b>	3/8"	1.0"	3.0"	3/8" or 3/4"
<b>Background Subtract Detector</b>	Electronic	Electronic	Real Time  2" dia T-1190 GM	Electronic
<b>Weight (lbs)</b>	<b>Pounds</b>	<b>Pounds</b>	<b>Pounds</b>	<b>Pounds</b>
<b>Electronics</b>	12	12	12	12
<b>Pump</b>	7	14	14	14
<b>Detector Shield</b>	22	200	590	90 or 150



**TECHNICAL ASSOCIATES  
OVERHOFF TECHNOLOGY**

7051 Eton Ave., Canoga Park, CA 91303  
818-883-7043 (Phone) 818-883-6103 (Fax)

[tagold@nwc.net](mailto:tagold@nwc.net)

[WWW.TECH-ASSOCIATES.COM](http://WWW.TECH-ASSOCIATES.COM)

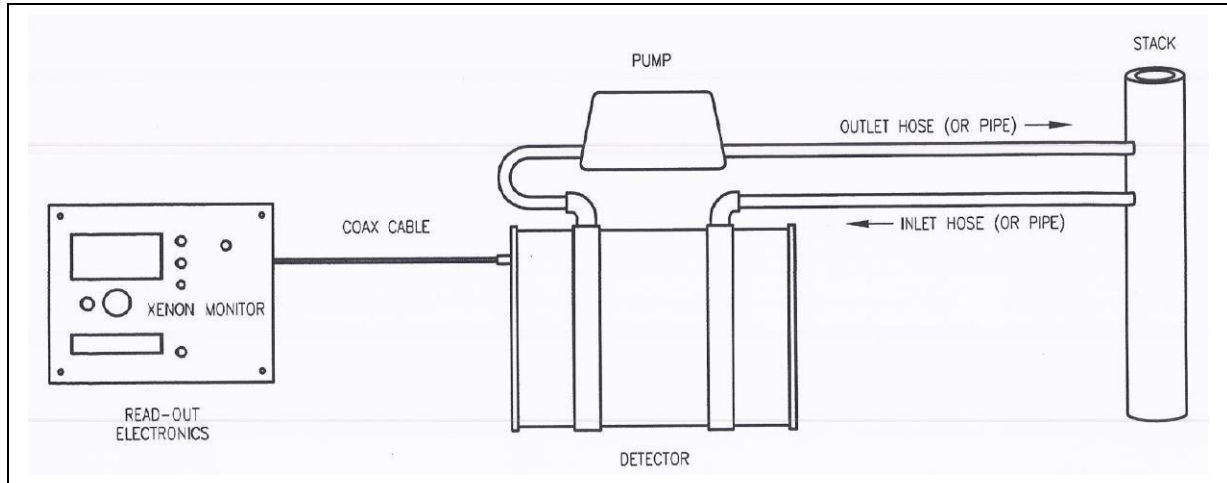
Divisions of  US NUCLEAR CORP

Ticker UCLE

# NOBLE GAS AIR/STACK MONITOR ARGON – XENON - KRYPTON

Model Series - FM-9NGAS-

FM-9XE-NG ~ FM-9NGAS-2 ~ FM-9NGAS-3 ~ FM-9NGAS-6S



**FM-9NGAS SYSTEM OVERVIEW**



**FM-9NGAS - ULTRA LOW NOISE PUMP**

**Green Turtle Pump**



**TECHNICAL ASSOCIATES  
OVERHOFF TECHNOLOGY**

7051 Eton Ave., Canoga Park, CA 91303  
818-883-7043 (Phone) 818-883-6103 (Fax)

[tagold@nwc.net](mailto:tagold@nwc.net)

[WWW.TECH-ASSOCIATES.COM](http://WWW.TECH-ASSOCIATES.COM)

Divisions of  US NUCLEAR CORP

Ticker UCLE