

RADON SWITCH

氡控制系统

Model – RANDFAN-SX

FEATURES: 特点

- AUTOMATES RADON MITIGATION SYSTEM
自动排氡系统
- PROTECTS STAFF & CLIENTS
保护工作人员与客户
- SAVES ELECTRICITY
省电
- RANGE: 0.1-600 pCi/l (PicoCurries per lLiter)
量程: 0.1-600 pCi/l (皮居/升)
- USER SETTABLE UNITS - PicoCi/L or Bq/m³ etc.
用户设定单位- pCi/l 或 Bq/m³ 等
- OPTIONAL - TOTAL DAILY DOSE
选项-每日总剂量
- PROGRAMMABLE DIGITAL READOUT
可设定数字读数器
- AC OPERATION WITH BATTERY BACKUP
AC 电源, 带电池备用电源
- INTERNAL DATA STORAGE
内置数据存储
- BUILT-IN HIGH LEVEL ALARM
内置上限报警
- USE WITH PORTABLE PC AS 1 YEAR DATA BUFFER
便携 PC 机作为一年数据缓存器
- USER SETTABLE TRIP POINT
用户设定报警点
- AVAILABLE WITH BACNET COMPATIBLE COMMUNICATIONS
可提供 BACnet 兼容
- **OPTIONAL: MULTI AREA RANDFAN-SX SYSTEM
INCLUDES DATA OUPUT WITH TIME & DATE STAMP**
选择: 多点 RANDFAN-SX 系统, 包括带时间和日期数据输出



TECHNICAL ASSOCIATES
OVERHOFF TECHNOLOGY

7051 Eton Ave., Canoga Park, CA 91303
818-883-7043 (Phone) 818-883-6103 (Fax)

tagold@nwc.net

WWW.TECH-ASSOCIATES.COM

Divisions of



US NUCLEAR CORP

RADON SWITCH

氡控制系统

Model – RANDFAN-SX

APPLICATION: 应用

TA's RANDFAN-SX Radon Switch activates and/or controls Radon mitigation fans. It is a sensitive, rugged, instrument for detection and measurement of airborne radon. The RANDFAN-SX will trigger radon mitigation fans, close or open air vents, and/or alert staff. Inlet and outlet hoses allow monitoring room air or the interiors of fume hoods, exhaust stacks, etc.

RANDFAN-SX Radon Switch 启动和/或控制排氡扇。仪器灵敏、坚固用于检测气溶胶氡。RANDFAN-SX 通过启动排氡扇，开启或关闭通风管并警告工作人员。进气和出气管允许监测室内空气或排风罩，排烟道等

DESCRIPTION: 描述

The RANDFAN-SX Radon operates as a simple stand alone radon sensor controller to activate Radon mitigation fans and devices, fan controller, and alert staff.

RANDFAN-SX 是一款独立氡控制器用来激活排氡扇，排氡扇控制器并警告工作人员

The RANDFAN-SX will measure airborne radon as free Radon gas (with or without Radon Daughters at user's option) below 1 pCi/l. All data is stored.

RANDFAN-SX 测量低于 1 pCi/l 浓度气溶胶氡（用户选择是否带氡子体），所有数据进行存储

- VERIFIES NEED FOR RADON MITIGATION DEVICES

满足排氡设备启动验证需要

- WIDE RANGE - DIGITAL ACCURACY

宽量程-数字精确

- SENSITIVE FOR OCCUPATIONAL EXPOSURE

对职业辐射灵敏

- BLOCKED AIR INTAKE ALARM

进气堵塞报警

- BUILT-IN COMPUTER INTERFACE

内置电脑接口

All instruments are calibrated at the factory. Calibration check may be performed in the field with a microCurie level Beta-Gamma source. Chamber may be checked for linearity of response on a Gamma calibration range. User friendly calibration controls are provided.

所有仪器工厂校准，使用微居限值的 β - γ 源可现场校准检查，本底室可能要断开以检查 γ 校准场地的线性响应。提供用户友好校准控制



TECHNICAL ASSOCIATES OVERHOFF TECHNOLOGY

7051 Eton Ave., Canoga Park, CA 91303
818-883-7043 (Phone) 818-883-6103 (Fax)

tagold@nwc.net

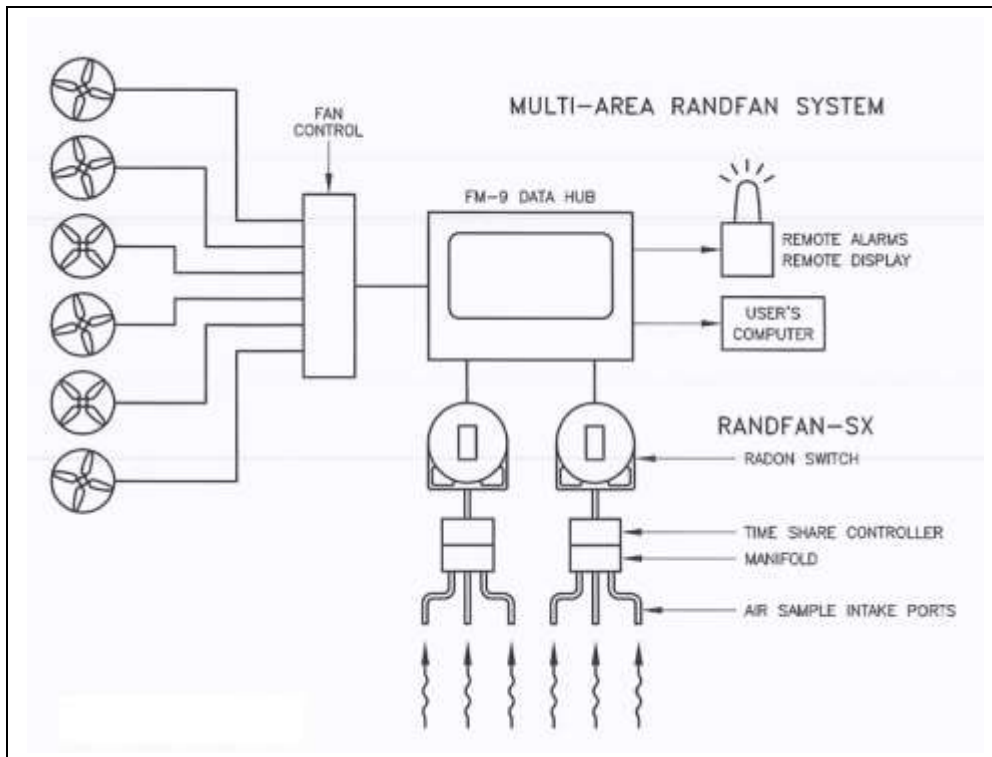
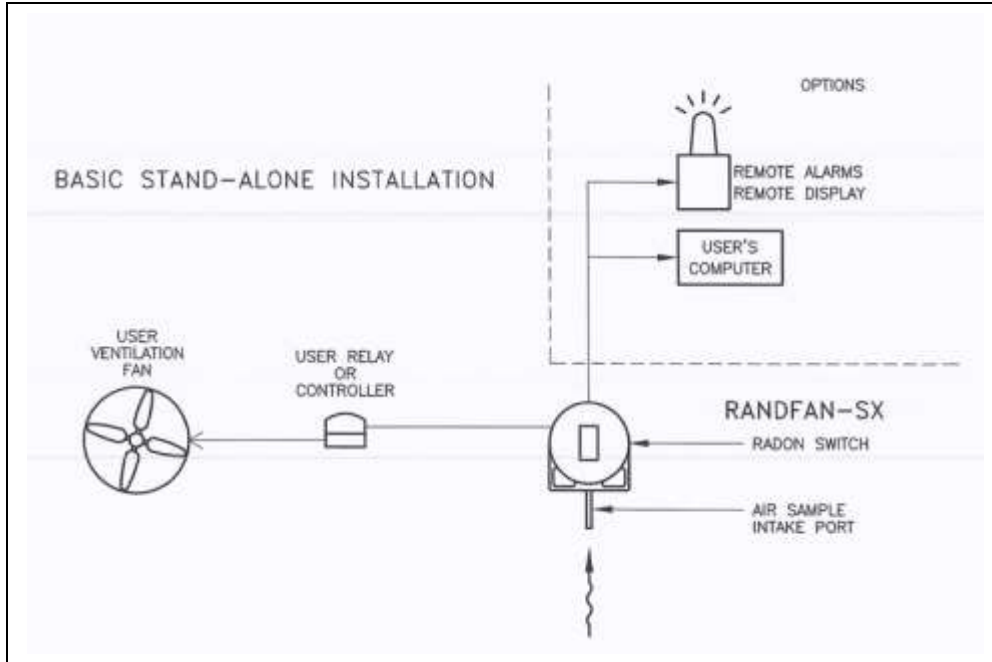
WWW.TECH-ASSOCIATES.COM

Divisions of  US NUCLEAR CORP

RADON SWITCH

氡控制系统

Model – RANDFAN-SX



**TECHNICAL ASSOCIATES
OVERHOFF TECHNOLOGY**

7051 Eton Ave., Canoga Park, CA 91303
818-883-7043 (Phone) 818-883-6103 (Fax)

tagold@nwc.net

WWW.TECH-ASSOCIATES.COM

Divisions of



US NUCLEAR CORP

RADON SWITCH

氡控制系统

Model – RANDFAN-SX

SPECIFICATIONS:

- **Ranges:**
量程:
Large, easy to read digital LED readout. 0.1 to 2,000 pCi/L
易读大 LED 数字读数器, 0.1 - 2,000 pCi/L
- **Smoke, Dust and Ion Elimination:**
烟尘、离子去除:
Filter and deionizer reduce effects to negligible level.
过滤器和去离子器将此影响减到可以忽略的水平
- **Circuit:**
电路:
Electrometer circuit amplifies 300 ml radon internal chamber.
静电计电路放大了 300ml 氡内室
❖ **OPTIONAL:**
选项:
1 liter chamber.
1 升电离室
- **Alarms:**
报警:
Low Air Flow / Alarm High Level Alarm: Red Lamps & Audio Alarm.
低气流/上限报警: 红灯&声音报警
- **Front Panel Controls:**
前板控制:
Off-On, Range Switch, Calibrate Switch.
Alarm Set Button, Alarm Reset Button.
关-开, 量程旋钮, 标定开关, 报警设定按钮, 报警重设按钮
❖ **OPTIONAL:**
选项:
Tamper Proof Control Panel
防破坏控制前板
- **Calibration:**
标定:
Internal calibration with Radon gas, or on a calibration course,
or (at a single point) with optional Beta-Gamma source
or electronic calibration.
使用氡气内部标定, 或在操作台上标定, 或(单点)用 β - γ 源标定
或电子标定
- **Computer Port:**
电脑接口:
RS-232 serial port is built in (fully addressable).
RS-232 串口内置(全寻址)
- **Case:**
外壳:
Rugged, weatherproof.
结实, 防潮

MULTI-AREA RANDFAN-SX SYSTEM:

多区域 RANDFAN-SX 系统

- 2 or More RANDFAN-SX
2 台或更多 RANDFAN-SX
- FM-9W Data Hub
FM-9W 数据系统
- Fan Controller
风扇控制器

OPTIONS: 选项

- Multi-Inlet
多进气口



TECHNICAL ASSOCIATES OVERHOFF TECHNOLOGY

7051 Eton Ave., Canoga Park, CA 91303
818-883-7043 (Phone) 818-883-6103 (Fax)

tagold@nwc.net

WWW.TECH-ASSOCIATES.COM

Divisions of  US NUCLEAR CORP

RADON SWITCH

氡控制系统

Model – RANDFAN-SX

- Manifold With Time Share Controller
带时间控制的电磁阀
- Remote Display
远程显示

DIMENSIONS: 尺寸

- **Stand Alone System Excluding handle:** 7" W x 11.25" H x 7.5" D
独立系统不含提手:
- **Wall Mount System:** 4.5" D x 10" H x 10" W
壁装式:
- **Weight:** 12 lbs
重量:
- **Shipping weight:** 15 lbs
邮寄重量:

ELECTRONICS

电子学

- **AC Power:** 100-240VAC
AC 电源:
- **Battery Backup:** 10 Ah Rechargeable Battery; 24 hours between charges. (Standard)
备用电池: 10 Ah 可充电电池, 可用 24 小时 (标准)

ACCESSORIES & OPTIONS:

配件和选项

- **RAL-3A:** Remote Alarm (audible & visual)
遥控报警 (视听)
Model RAL-3A (includes 25 ft. of cable).
- ❖ **OPTIONAL:** 500 ft Cable.
选项: 500 英尺缆线
- **HTR-7:** Heated Ion Chamber
加热电离室
- **WIN-W:** Win-Wedge data logging software for users PC.
Win-Wedge 用户电脑数据录入软件



TECHNICAL ASSOCIATES OVERHOFF TECHNOLOGY

7051 Eton Ave., Canoga Park, CA 91303
818-883-7043 (Phone) 818-883-6103 (Fax)

tagold@nwc.net

WWW.TECH-ASSOCIATES.COM

Divisions of



US NUCLEAR CORP