

# ETHERNET MOBILE RADIATION DETECTOR

Model # MoRad

**FEATURES:**

- RADIATION MAPPING TOOL
- SENSITIVE - 1 $\mu$ R/hr RESOLUTION
- SMALL SIZE
- RUGGED, SPLASH PROOF
- WIDE RANGE COVERED
- CHOOSE UP TO 8 BETA-GAMMA & NEUTRON DETECTORS
- CONNECTS TO YOUR EXISTING WINDOWS or LINUX NETWORK
- CAN BE SET TO ALLOW INTERNET ACCESS FROM REMOTE SITES
- USER SETTABLE ALARM LEVELS
- TARGETED and OMNI-DIRECTIONAL DETECTORS



**Who benefits:** If you work for police department or other public or private security organization. Or if your group is providing fixed-mount and mobile video feeds to make maps and to help local and national law enforcement, You should also be recording Nuclear Radiation Levels.

**Situation:** When the police get a call to go to a suspected dirty bomb or nuclear device site, they need maps from you showing long-standing radiation levels at each point, as well as current radiation levels from either their **MoRad** equipment or your **MoRad** detection equipment.

**When and why are security personnel interested in radiation levels?** Three time periods **Baseline time period:** Baseline mapping: Background varies from place to place, due to natural causes, and old pollution and uranium and potassium in road and building materials. **Prior to Detonation:** The terrorist moves radioactive materials into an area, for storage or pre-positioning a dirty bomb or nuclear bomb prior to detonation. **After Detonation:** An industrial accident, or a dirty bomb explosion releases large mounts of radioactive material in solid, liquid or airborne form.

Omni-Directional Detectors (choose up to 8 detectors)	Detector Model	Type	Diameter	Range
Low range Gamma Mapping & Search Tool	PGS-3Lmo	Scintillator	2"	1 $\mu$ R/hr to 1mR/hr
Mid to High Range Gamma Mapping	P-7LBmo	GM	1"	10 $\mu$ R/hr to 10mR/hr
Very High Range Gamma Mapping	TBM-ICHmo	Ion Chamber	3"	100mR/hr to 500R/hr
Neutron Mapping Tool	PNS-19mo	Scintillator	1.5"	5-10,000 neutrons/cm <sup>2</sup> /sec sensitive to all energies
AIR-BORNE PARTICULATES After dirty bomb explodes	AIR-TBMmo	Air Samples + filter + detector	2"	3 x 10 <sup>-7</sup> $\mu$ Ci/cc in 1 minute detects Rad dust & vapors

**Targeted Detector** model **PGS-3LSW** - This collimated detector with operator controlled swivel, allows operator to determine specific direction of gamma-emitter threat.

**Other Products Available:**  
 Drinking Water Tester      Model **MEDA-5T**      Food Tester      Model **FL-1000**

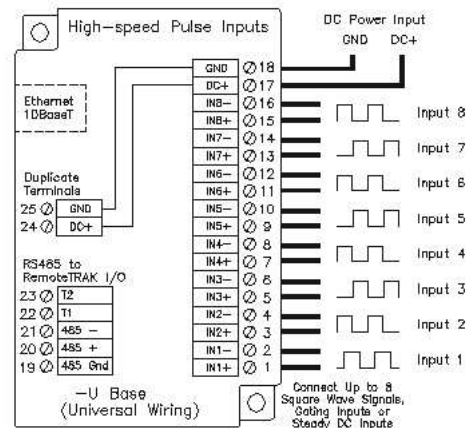
**TA TECHNICAL ASSOCIATES**  
 7051 ETON AVENUE \* CANOGA PARK, CA 91303 TELEPHONE (818) 883-7043 \* FAX(818) 883-6103

\$Revision: 1.1 \$

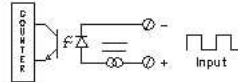
# ETHERNET MOBILE RADIATION DETECTOR

Model # MoRad

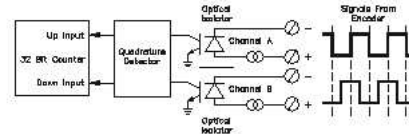
Performance Specifications	
Number of Counters	8
Counter Mode Performance:	
Guaranteed count rate	50 KHz
Count Resolution	32 bits
Rate (frequency) mode performances:	
Maximum input rate	50,000 per sec
Shortest Measurement Period	10mS
Longest Measurement Period	1 minute
Position Mode Performance:	
Maximum position axes (2 channels/axis)	4
Maximum pulses per second	25,000
Maximum quadrature states per second	100,000
Position Resolution	32 bits
Input Performance:	
Guaranteed count input voltage	4 Volts
Maximum count in-out voltage	30 Volts
Guaranteed off in-out voltage	1.5 Volts
Nominal count input current	8mA
Required supply voltage	10-30 VDC <small>(1.4 watt typical)</small>
Operating temperature range	-30 to 70°C
Storage temperature range	-40 to 85°C
Humidity (non-condensing)	5 to 95%



Typical Count/Rate Input Circuit



Typical Position Input Circuit



**TA**

**TECHNICAL ASSOCIATES**

7051 ETON AVENUE \* CANOGA PARK, CA 91303 TELEPHONE (818) 883-7043 \* FAX(818) 883-6103

\$Revision: 1.1 \$