

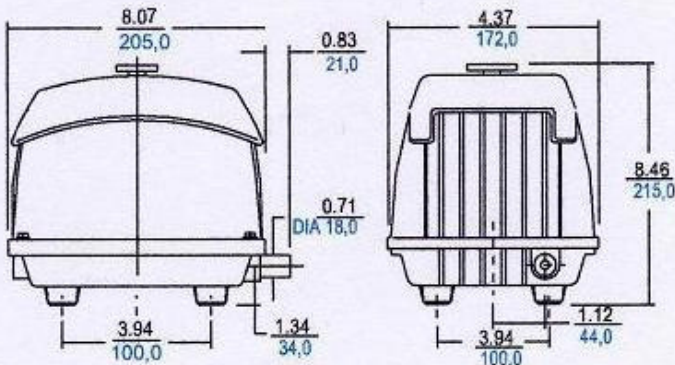
MEDIUM CAPACITY OILLESS PUMP SERIES AP-3V, AP-4V, AP-6V, AP-8V

Variable speed motor.

Very quiet- suitable for office use as well as industrial/medical locations.



Product Dimensions (mm, inches)



MODELS AP-3V

5.4 PSI MAX. PRESSURE (.37 bar) 54 LPM OPEN FLOW (60 Hz)
5.1 PSI MAX. PRESSURE (.35 bar) 65 LPM OPEN FLOW (50 Hz)

MODELS AP-4V

5.9 PSI MAX. PRESSURE (.41 bar) 65 LPM OPEN FLOW (60 Hz)
5.8 PSI MAX. PRESSURE (.40 bar) 76 LPM OPEN FLOW (50 Hz)

MODELS AP-6V

6.3 PSI MAX. PRESSURE (.43 bar) 79 LPM OPEN FLOW (60 Hz)
6.1 PSI MAX. PRESSURE (.42 bar) 102 LPM OPEN FLOW (50 Hz)

MODELS AP-8V

7.0 PSI MAX. PRESSURE (.48 bar) 120 LPM OPEN FLOW (60 Hz)
7.0 PSI MAX. PRESSURE (.48 bar) 111 LPM OPEN FLOW (50 Hz)

PRODUCT FEATURES

- All 101 models include a 6 ft. cord/plug assembly
 - 501 models include a 1.8 metre cord with pigtails
 - 801 models include a 1.8 metre cord with pigtails (not shown in photo or drawing)
- Additional plug configurations available
- CE In compliance with the European Community's Machinery Directive.
- UL listed aquarium equipment
- Quiet operation
- Drop into existing system
- Aluminum housing for better ventilation

Product Specifications

Model Number	Operating Voltage/ Frequency (Hz)	Max Power Watts	Sound Level dB(a)	Net Wt. lbs. kg	
AP-3V-101	120-60	36	40	12	5.4
AP-3V-501	230-60	36	40	12	5.4
AP-3V-801	230-50	36	40	12	5.4
AP-4V-101	120-60	47	41	12	5.4
AP-4V-501	230-60	44	41	12	5.4
AP-4V-801	230-50	44	38	12	5.4
AP-4V-101	120-60	63	50	13	6.3
AP-4V-501	230-60	53	50	13	6.3
AP-6V-801	230-50	53	40	13	6.3
AP-8V-101	120-60	93	52	13	6.3
AP-8V-501	230-60	79	52	13	6.3
AP-8V-801	230-50	79	40	13	6.3

Product Performance (Metric, U.S.)

